

Maximum lifting capacity

**8,070kg**  
at 2.5m



## Specification Table

Model	URV805	URV804	URV803
Maximum Lifting Capacity	8,070kg at 2.5m	8,070kg at 2.5m	8,070kg at 2.5m
Maximum Hook Height	17.5m	14.4m	11.1m
Working Radius	Min. 0.69m to Max. 15.60m	Min. 0.67m to Max. 12.50m	Min. 0.65m to Max. 9.20m
Boom Length	Min. 4.40m to Max. 15.90m	Min. 4.30m to Max. 12.80m	Min. 4.20m to Max. 9.50m
Boom Sections	5	4	3
Boom Raising Speed	1° to 80° /25s		
Winch Single Line Pull	13.1kN [1,333kgf]		
Winch Hook Speed	9.8m/min at 4th layer with 6-part line		
Winch Wire Rope	IWRC 6×P·WS(26)φ10mm×129m	IWRC 6×P·WS(26)φ10mm×108m	IWRC 6×P·WS(26)φ10mm×86m
	[Breaking strength: 68.6kN [7,000kgf]]		
Slewing Range/Speed	360° Continuous/1.5rpm		
Outrigger Span	Retracted:2.26m Extended:5.1m Mid-extended:3.3m,4.3m		
Safety Devices	Pressure Relief Valve for Hydraulic Circuit / Counterbalance Valves for Boom Raising and Boom Telescoping Cylinders / Pilot-operated Check Valves for Vertical Outrigger Cylinders / Boom Angle Indicator / Hook Safety Latch / Automatic Mechanical Brake for Winch / Loadmeter / Overwinding Alarm / Alarm Buzzer / Level		
Option	Overloading Alarm / Automatic Stop for Overwinding / Rear Outrigger / Hook Stow System / Hydraulic Horizontal Extension Outrigger		
Crane Mass	3,345kg	3,060kg	2,820kg

**URV805 Rated Loads** (Unit:kg)

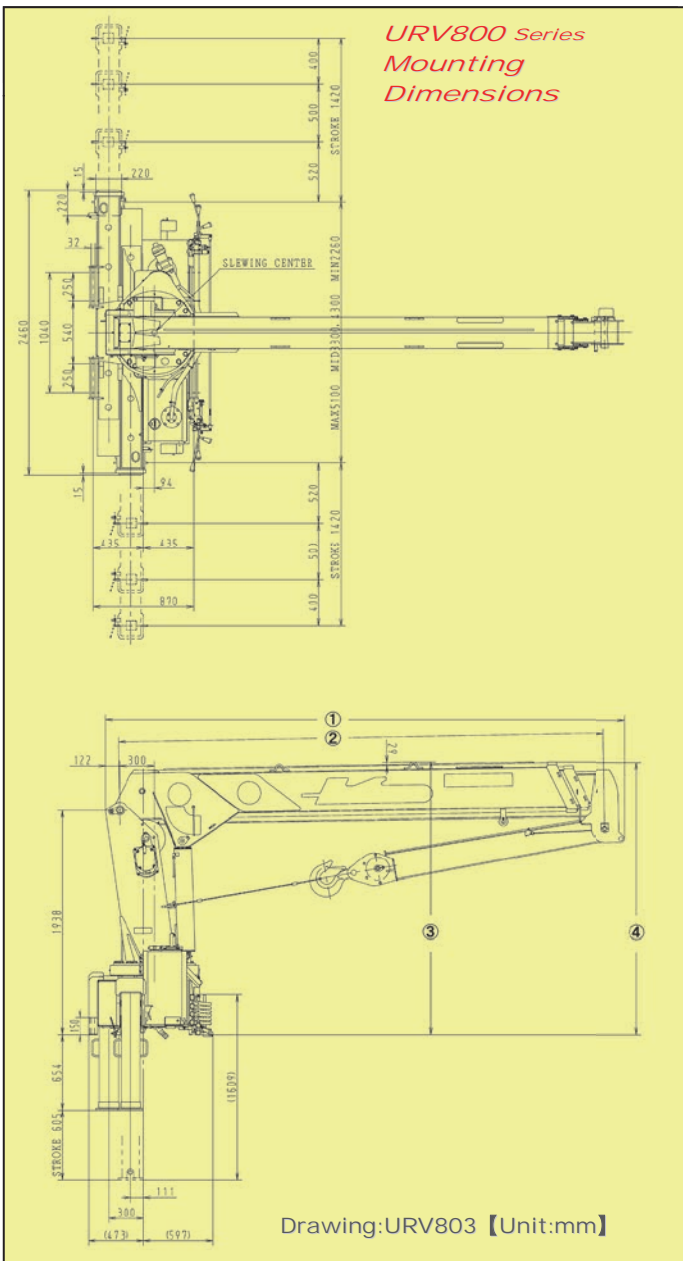
Working radius(m) Boom length(m)	2.5	2.7	3.0	3.5	4.0	4.5	5.0	5.5	6.0	7.0	8.0	9.0	10.0	11.0	12.0	13.0	14.0	15.0	15.6	
4.4m ①	8,070	7,070	6,070	5,170	4,470(4.1m)															
7.3m ①+②	6,070	6,070	6,070	5,170	4,570	4,120	3,670	3,320	2,970	2,370										
10.2m ①+②+③	3,070	3,070	3,070	3,070	3,070	3,070	3,070	3,070	2,870	2,370	1,970	1,720	1,570(9.9m)							
13.0m ①+②+③+④			2,670	2,670	2,670	2,670	2,670	2,670	2,670	2,120	1,720	1,520	1,320	1,170	1,020	920(12.7m)				
15.9m ①+②+③+④+⑤				2,070	2,070	2,070	2,070	2,070	2,070	2,070	1,970	1,720	1,520	1,320	1,170	1,020	870	770	670	570

**URV804-CNB Rated Loads** (Unit:kg)

Working radius(m) Boom length(m)	2.0	2.5	2.7	3.0	3.5	4.0	4.5	5.0	5.5	6.0	7.0	8.0	9.0	10.0	11.0	12.0	12.5
4.3m ①	8,070	8,070	7,070	6,070	5,170	4,570											
7.2m ①+②	6,070	6,070	6,070	6,070	5,170	4,570	4,120	3,670	3,320	2,970	2,420(6.9m)						
10.0m ①+②+③	3,070	3,070	3,070	3,070	3,070	3,070	3,070	3,070	3,070	2,870	2,370	1,970	1,720	1,570(9.7m)			
12.8m ①+②+③+④				2,670	2,670	2,670	2,670	2,670	2,670	2,470	2,020	1,770	1,570	1,370	1,170	1,020	970

**URV803-CNB Rated Loads** (Unit:kg)

Working radius(m) Boom length(m)	2.0	2.5	2.7	3.0	3.5	4.0	4.5	5.0	5.5	6.0	7.0	8.0	9.2
4.2m ①	8,070	8,070	7,070	6,070	5,170	4,670(3.9m)							
6.9m ①+②		6,070	6,070	6,070	5,170	4,570	4,120	3,670	3,370	3,070	2,670(6.6m)		
9.5m ①+②+③				3,070	3,070	3,070	3,070	3,070	3,070	3,070	2,470	2,070	1,670



**NOTE**

- Fully extend all outriggers on Solid, level surface leveling vehicle.
- Rated loads shown in the chart are based on the crane strength rather than stability.
- Rated loads shown must be reduced in accordance with vehicle weight, loaded condition of truck, crane mounting position, wind, ground condition and operating speed.
- The mass of hook(70kg), slings, and any accessories attached to the boom or loadline must be deducted from the above rated loads in the chart.
- In accordance with our policy of constant product improvement, all specifications are subject to change without notice or obligations.

**URV800 Series Mounting Dimensions**

No.	URV805	URV804	URV803
①	4,692	4,592	4,492
②	Min.4,400~Mid.7,300~ 10,200~13,000~ Max.15,900	Min.4,300~Mid.7,200~ 10,000~Max.12,800	Min.4,200~Mid.6,900~ Max.9,500
③	2,437	2,358	2,357
④	2,467	2,384	2,355

**FURUKAWA UNIC CORPORATION**

5-3,Nihonbashi 1-chome Chuo-ku, Tokyo 103-0027 JAPAN

Phone: (81-3)3231-8613/FAX: (81-3)3231-8261

URL: <http://www.uniccrane-global.com/>